

# The garden experience

Pavilions in 28, 34 and 44 mm

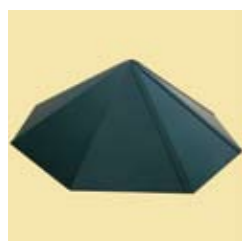
## » Hanna



34 and 44 mm double grooved wall logs  
28 and 34 mm ready-made wall elements (Veronica/Carmen)

45x70 or 60x80 mm  
pressure treated  
foundation joists

19 mm tongued & grooved  
floor boards



Roof cap



Ready-made roof elements  
(Hanna, Veronica, Carmen,  
Nataly, Lisette)



Full set of slats for roof  
and floor



Storm braces  
(log pavilions)



Assembly kit



Detailed installation  
manual

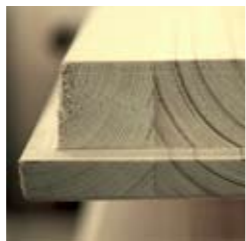
### High quality double doors and windows:



Outward opening windows  
with window stays



Real glass with  
wooden bars



Door frames from  
laminated timber



incl. cylindrical lock  
& handles

Please note: roof covering material (roofing felt / shingles) not included!

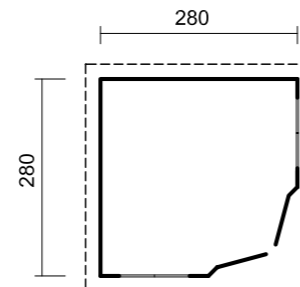


### » Melanie

new!



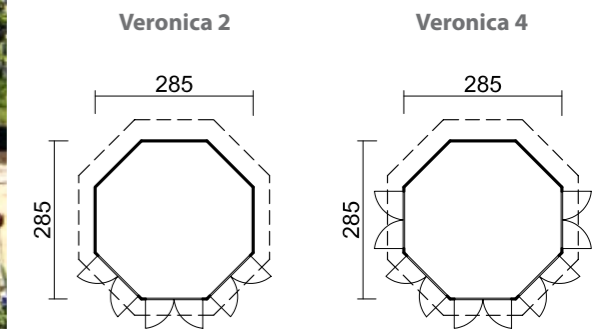
Article number	FRJ28-3030
Wall thickness	28 mm
Wall measures	280x280 cm
Log measures	300x300 cm
Side wall height ca.	217 cm
Total height ca.	285 cm
Area ca.	6,8 m <sup>2</sup>
Volume ca.	16,3 m <sup>3</sup>
Roof area / gradient ca.	11,9 m <sup>2</sup> / 25°



### » Veronica



Veronica 2, Art. nr. PAP28-2929; 2 windows	
Veronica 4, Art. nr. PAP28-2929-1; 4 windows	
Wall thickness	28 mm
Diameter ca.	285 cm
Side wall height ca.	215 cm
Total height ca.	310 cm
Area ca.	6,7 m <sup>2</sup>
Volume ca.	16,4 m <sup>3</sup>
Roof area / gradient ca.	12,6 m <sup>2</sup> / 32°

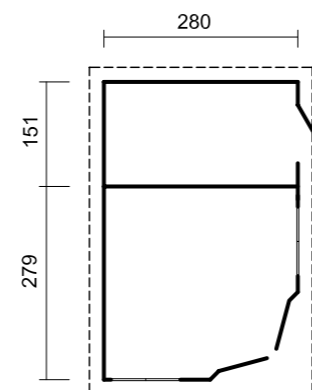


### » Sarah

new!



Article number	FRL28-4530
Wall thickness	28 mm
Wall measures	430x280 cm
Log measures	450x300 cm
Side wall height ca.	217 cm
Total height ca.	285 cm
Area ca.	6,7+4,0 m <sup>2</sup>
Volume ca.	17,2+9,9 m <sup>3</sup>
Roof area / gradient ca.	16,9 m <sup>2</sup> / 25°

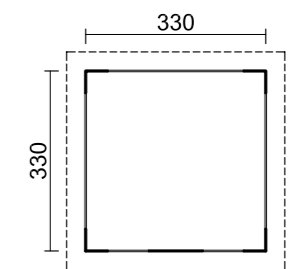


### » Marie

new!



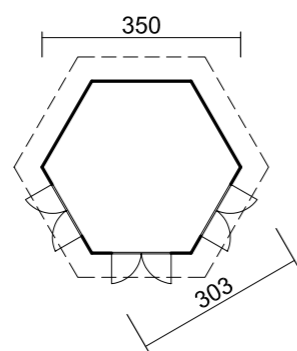
Article number	FRQ28-3535
Wall thickness	28 mm
Wall measures	330x330 cm
Log measures	350x350 cm
Side wall height ca.	217 cm
Total height ca.	300 cm
Area ca.	10,5 m <sup>2</sup>
Volume ca.	26 m <sup>3</sup>
Roof area / gradient ca.	17,6 m <sup>2</sup> / 24,7°



» Hanna



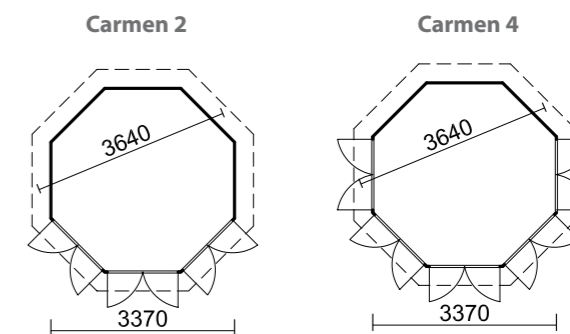
Article number	PAP34-3636
Wall thickness	34 mm
Diameter ca.	303 cm
Side wall height ca.	227 cm
Total height ca.	336 cm
Area ca.	7,6 m <sup>2</sup>
Volume ca.	19,6 m <sup>3</sup>
Roof area / gradient ca.	14,8 m <sup>2</sup> / 32°



» Carmen



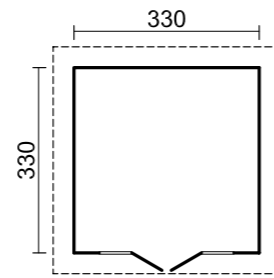
Carmen 2, Art. nr. PAP34-3434; 2 windows	
Carmen 4, Art. nr. PAP34-3434-1; 4 windows	
Wall thickness	34 mm
Diameter ca.	337 cm
Side wall height ca.	222 cm
Total height ca.	326 cm
Area ca.	9,2 m <sup>2</sup>
Volume ca.	23,4 m <sup>3</sup>
Roof area / gradient ca.	15,3 m <sup>2</sup> / 32°



### » Anette



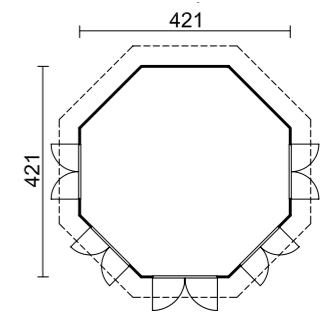
Article number	FRB44-3535
Wall thickness	44 mm
Wall measures	330x330 cm
Log measures	350x350 cm
Side wall height ca.	222 cm
Total height ca.	310 cm
Area ca.	10,3 m <sup>2</sup>
Volume ca.	26 m <sup>3</sup>
Roof area / gradient ca.	17 m <sup>2</sup> / 24,5°



### » Nataly



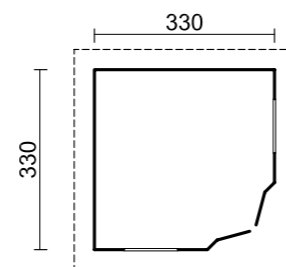
Article number	PAY44-4242
Wall thickness	44 mm
Diameter ca.	421 cm
Side wall height ca.	222 cm
Total height ca.	371 cm
Area ca.	14,1 m <sup>2</sup>
Volume ca.	38,3 m <sup>3</sup>
Roof area / gradient ca.	24 m <sup>2</sup> / 32°



### » Renate



Article number	FRJ44-3535
Wall thickness	44 mm
Wall measures	330x330 cm
Log measures	350x350 cm
Side wall height ca.	233 cm
Total height ca.	325 cm
Area ca.	9,6 m <sup>2</sup>
Volume ca.	25 m <sup>3</sup>
Roof area / gradient ca.	17 m <sup>2</sup> / 24,5°



### » Lisette



Article number	PAY44-5742
Wall thickness	44 mm
Diameter ca.	571 cm
Side wall height ca.	222 cm
Total height ca.	371 cm
Area ca.	20,3 m <sup>2</sup>
Volume ca.	53,5 m <sup>3</sup>
Roof area / gradient ca.	32,6 m <sup>2</sup> / 32°

